

# SUNRICHER

## 0-10V BLE Fixture-Integrated Sensorless Controller

### Product Datasheet

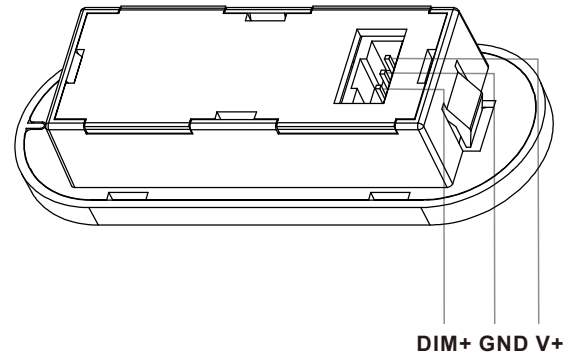
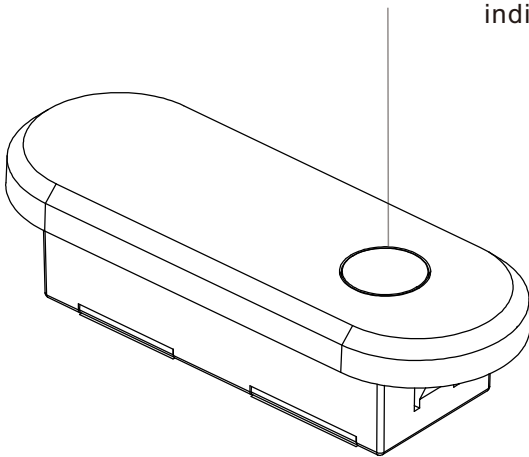
Please read all instructions before installation



Technology Partner **SILVAIR**

**Product info**

**Reset Key:** Press it to help withdraw the device from internet/APP, LED flashes quickly indicates success.



**Note:**

**V+:** Power supply(+)    **GND:** Common port for Power supply(-) & DIM-    **DIM+:** 0-10V signal port(10V)

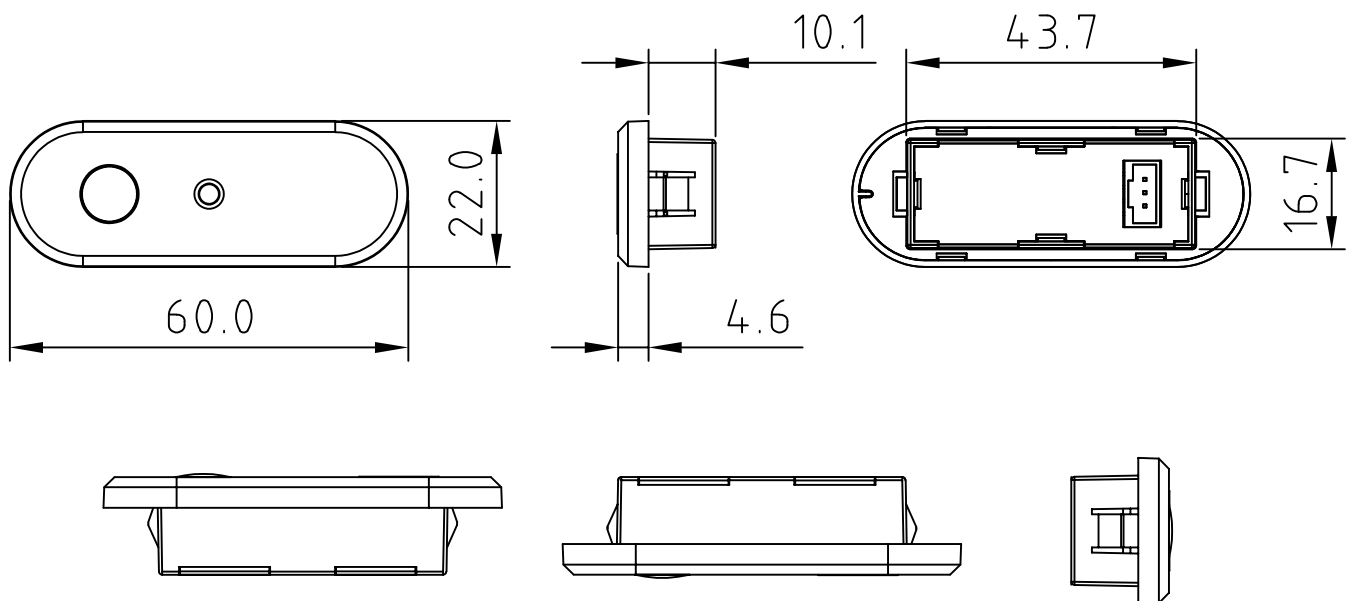
**Parameters**

| Input    |           | Output, 0/1-10V | Control       |                | Environment           |                   | Others         |
|----------|-----------|-----------------|---------------|----------------|-----------------------|-------------------|----------------|
| Power    | Signal    | Current         | Dimming Curve | Dimming Method | Operating temperature | Relative humidity | Size           |
| 12-24VDC | Bluetooth | Max. 20mA       | Logarithmic   | PWM            | 0°C~+45°C             | 8% to 80%         | See dimensions |

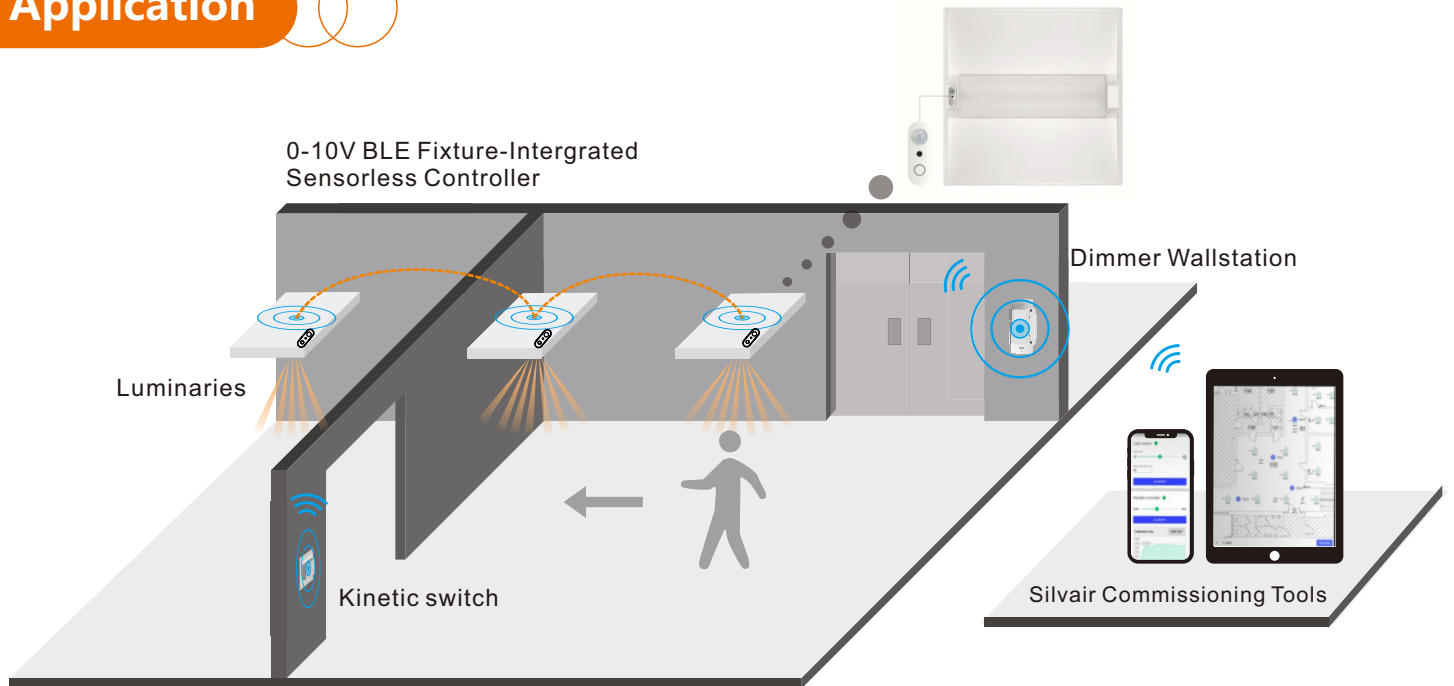
## Features

- Bluetooth to 0-10V signal converter, Bluetooth® mesh network
- Built-in 20mA 0-10V signal output
- Mesh network, which has a much longer control distance, transmits received signals to neighboring devices
- All devices on 0-10V line are broadcast controlled by mobile application
- Supporting our kinetic energy switches and EnOcean switches EWSSB and EWSDB
- In typical indoor environment, the typical range for wireless communication is 20m to 25m . Actual range is dependent on field installation.
- Standby power consumption less than 0.5W, meet latest ERP regulation
- Available with Magnetic reset (Touch the top part of sensor for 5 seconds)
- On-board antenna
- Waterproof grade: IP20
- 5 years warranty

## Dimension



## Application



## Specifications

### Linkage

- Free to link several zones which acts like zone linking
- Free to set linkage conditions (A triggers B or B triggers A)
- Work with Sensor node can realize maximum cost-effective ratio

### ENERGY SAVINGS

- Low/High-end trimming
- Manual control
- Auto and advanced demand response programs
- In-node Scheduling (INS) Function

### COMFORT & CONVENIENCE

- Personalized setting profile
- Working with kinetic switch and 0-10V dimmable drivers
- Multi-scenes control

### ENVIRONMENT AND APPROBATION

- Operating temperature: 0°C to 45°C
- Agency approbations: CE/UL listed/ FCC/ IC...
- Warranty: 5 years

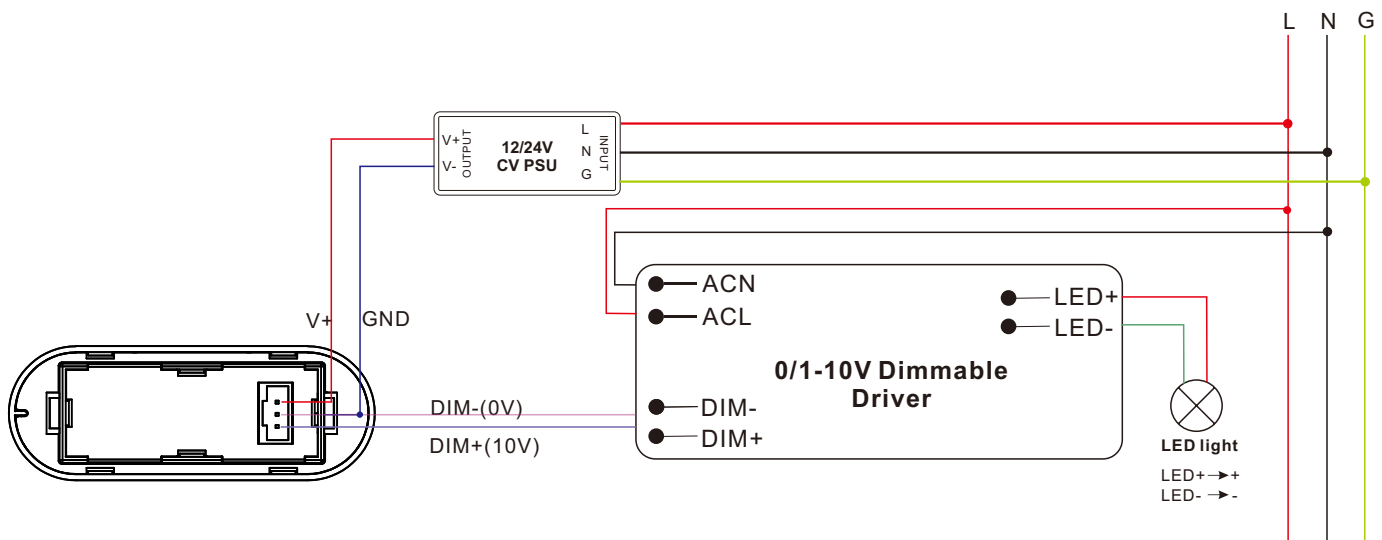
## Warning

- DO NOT install with power applied to device
- DO NOT expose the device to moisture

## Operation

- Do wiring according to connection diagram
- Kindly refer to **Silvair commissioning User Manual** for further pairing
- Press and hold down the “Reset” button on the controller over 5 seconds until the indicator flashes , which means it has been reset.
- Available with Magnetic reset (Touch the top part of sensor for 5 seconds)

## Wiring



## Update log

| Date       | Version | Update content   | Update by |
|------------|---------|------------------|-----------|
| 2022-11-10 | V1.1    | Parameter Update | Romeo     |

Subject to change without notice. Please contact us if you have any question.